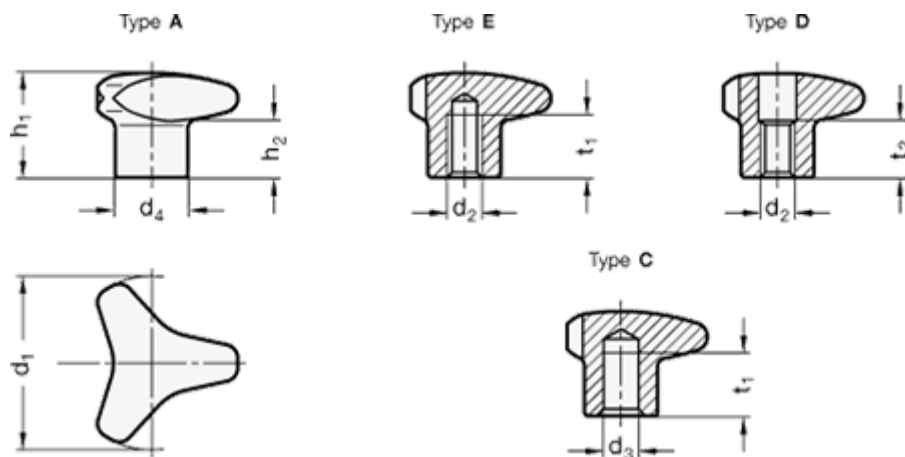


Article number: 20534525M5D

Description: E+G Three-star knobs - GN 5345-25-M5-D

Measures



d1 = 25
d2 = M5
d3 H7 =
d4 = 12
h1 = 16
h2 = 8
t1 min. =
t2 = 11

Weight (g) = 19